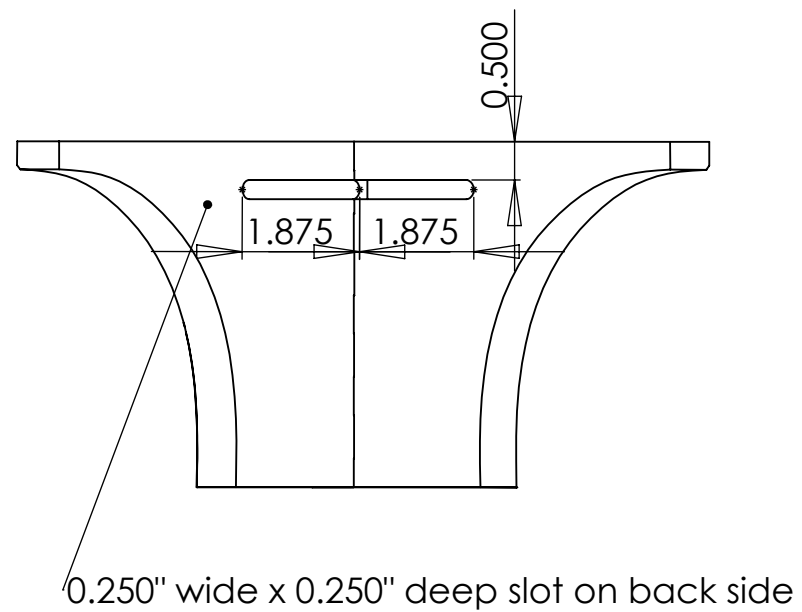
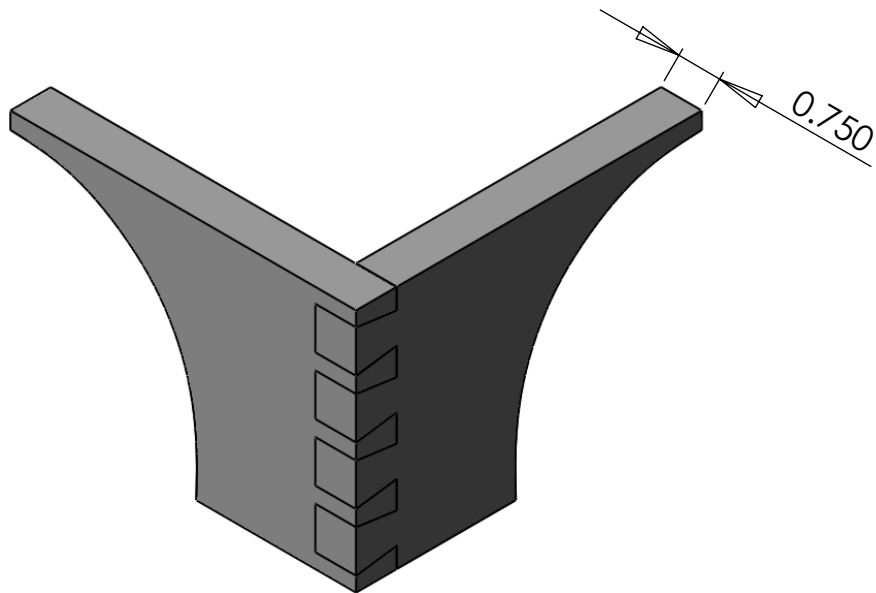
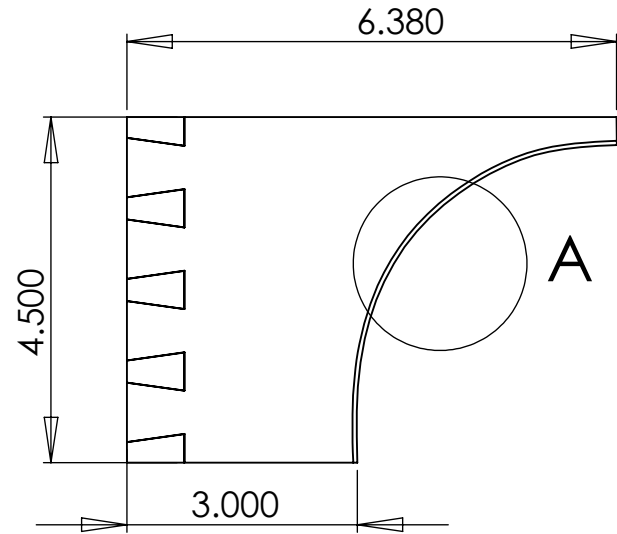


DETAIL A
SCALE 2 : 2.5



PROPRIETARY AND CONFIDENTIAL

THE INFORMATION CONTAINED IN THIS DRAWING IS THE SOLE PROPERTY OF CLASSIC DESIGNS BY MATTHEW BURAK. ANY REPRODUCTION IN PART OR AS A WHOLE WITHOUT THE WRITTEN PERMISSION OF CLASSIC DESIGNS BY MATTHEW BURAK IS PROHIBITED.

SIZE

A

DWG. NO.

5/29/09 SB

494FL