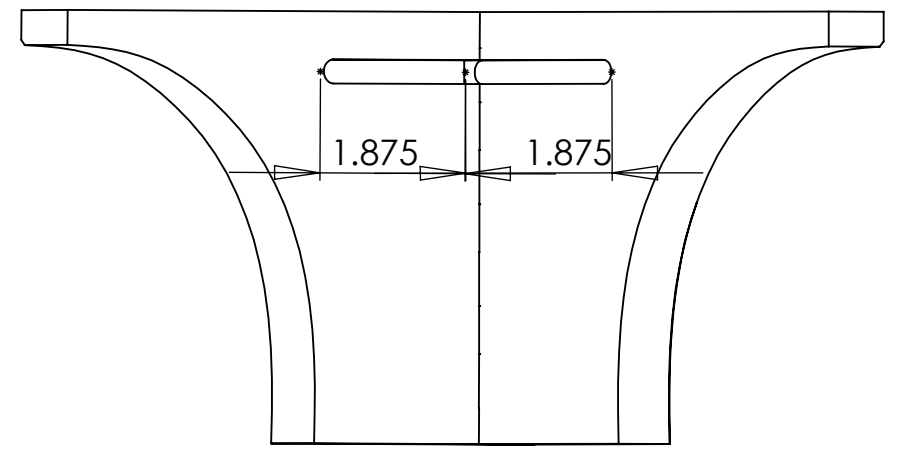
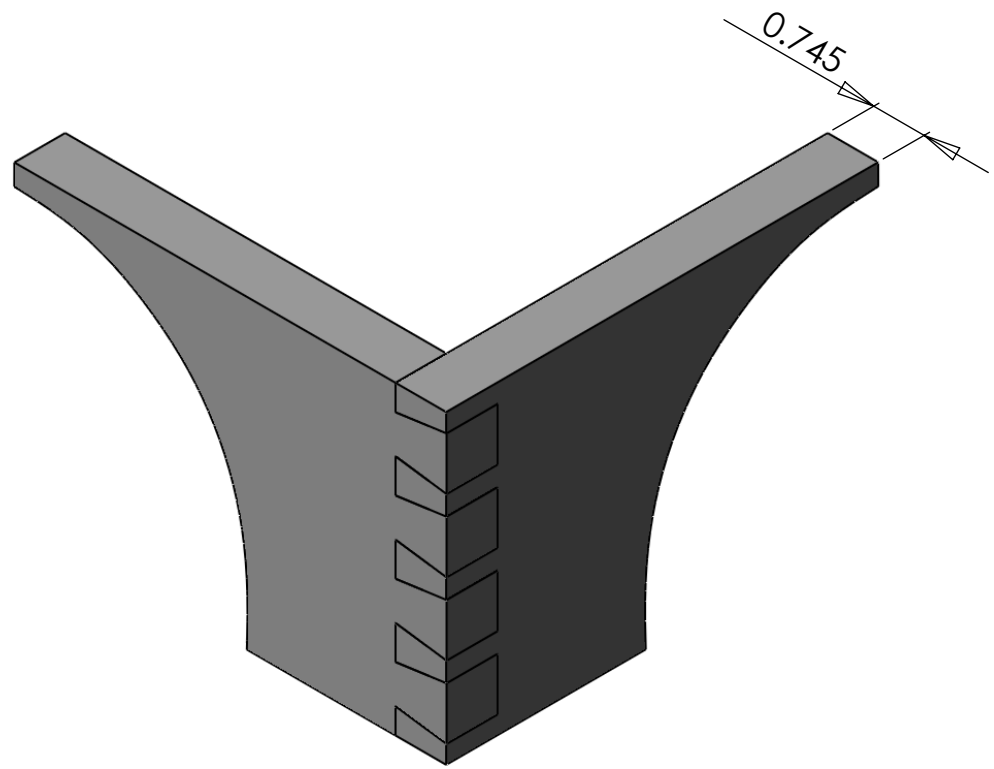


DETAIL A
SCALE 1 : 1

0.250" wide x 0.250" deep
slot on back side



PROPRIETARY AND CONFIDENTIAL
THE INFORMATION CONTAINED IN THIS DRAWING IS THE SOLE PROPERTY OF CLASSIC
DESIGNS BY MATTHEW BURAK. ANY REPRODUCTION IN PART OR AS A WHOLE WITHOUT THE
WRITTEN PERMISSION OF CLASSIC DESIGNS BY MATTHEW BURAK IS PROHIBITED.

SIZE **A** DWG. NO. 5/29/09 SB

494FR