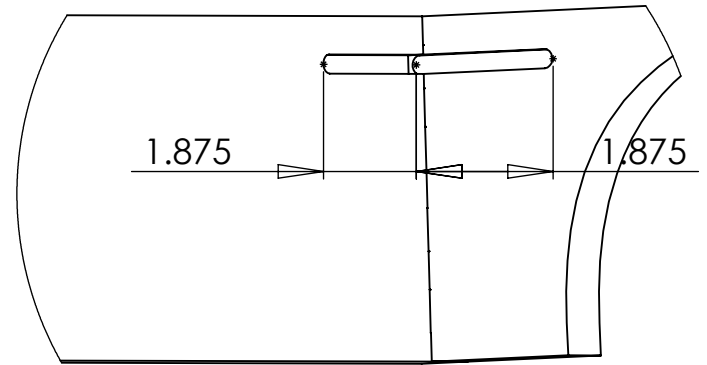
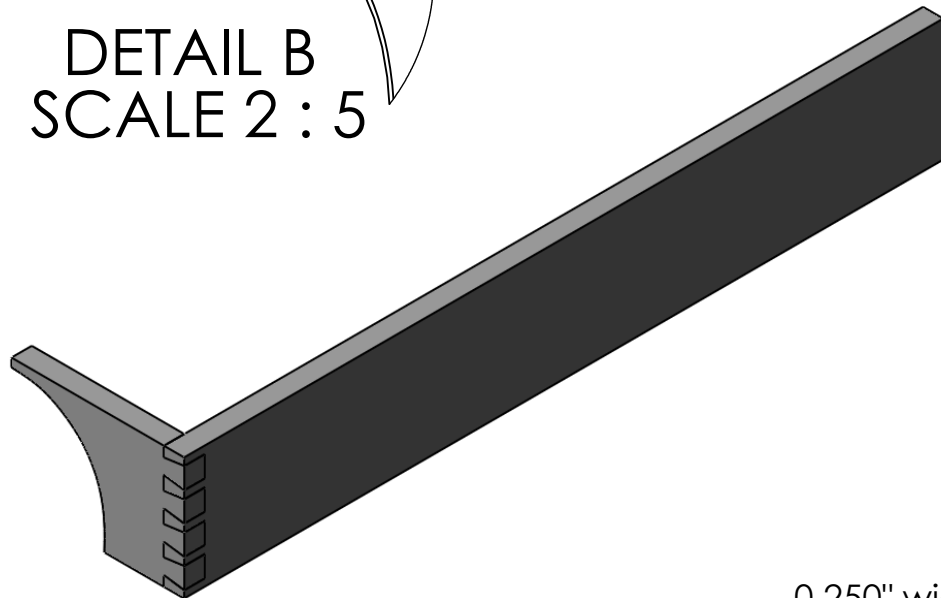


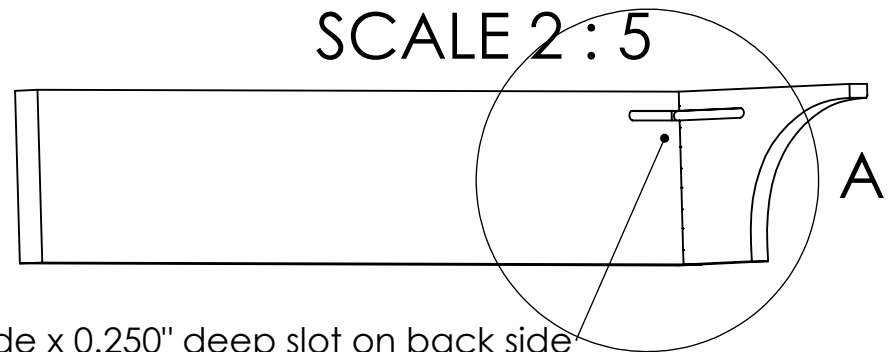
0.055" x 0.055" chamfer on edge of this Face only



DETAIL B
SCALE 2 : 5



DETAIL A
SCALE 2 : 5



0.250" wide x 0.250" deep slot on back side

PROPRIETARY AND CONFIDENTIAL

THE INFORMATION CONTAINED IN THIS DRAWING IS THE SOLE PROPERTY OF CLASSIC DESIGNS BY MATTHEW BURAK. ANY REPRODUCTION IN PART OR AS A WHOLE WITHOUT THE WRITTEN PERMISSION OF CLASSIC DESIGNS BY MATTHEW BURAK IS PROHIBITED.

SIZE

A

DWG. NO.

5/29/09 SB

494XR